

Kai

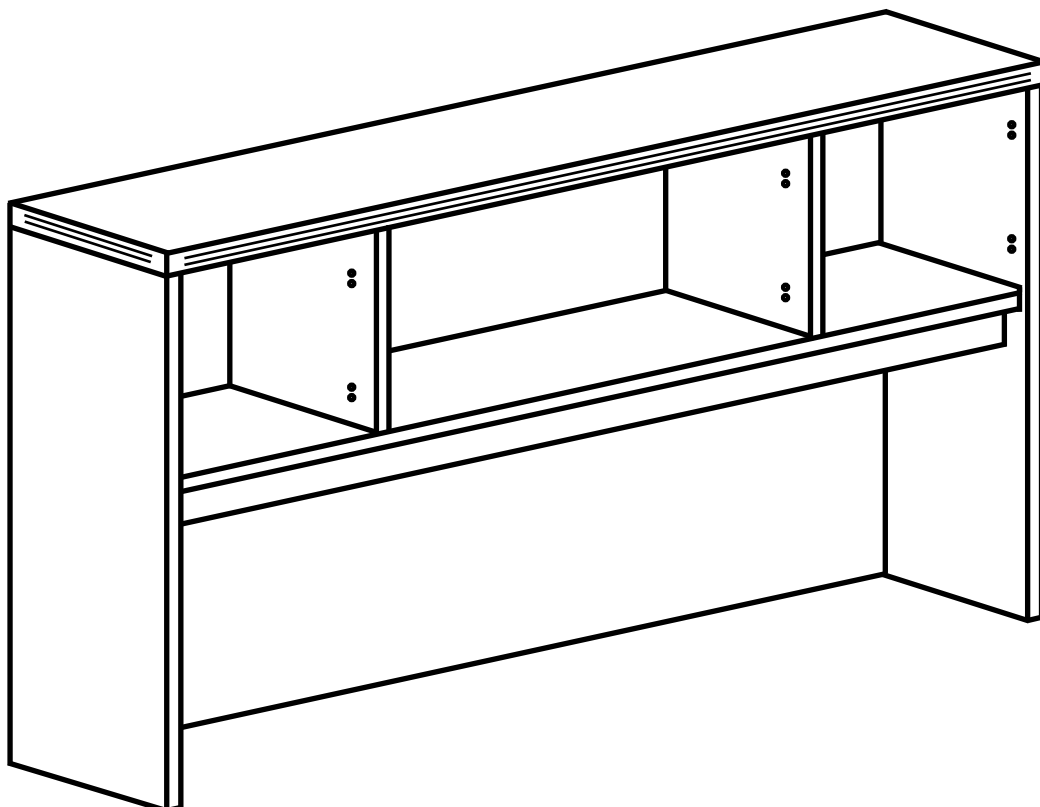
By

i5 Industries

Assembly: 66"/71" Open Hutch

MODELS: OH66 66" Open Hutch
OH71 71" Open Hutch

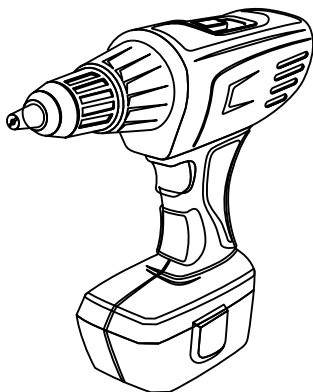
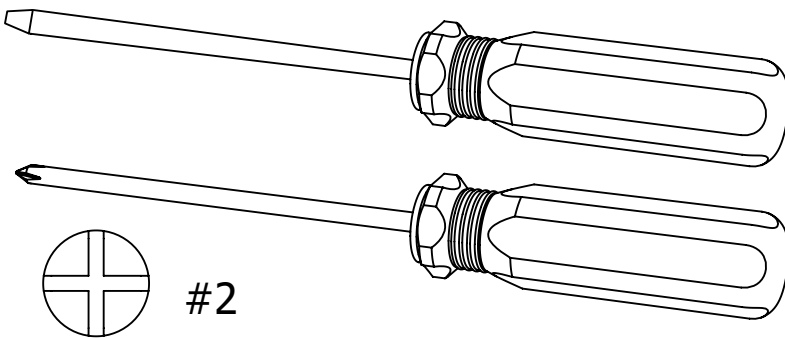
Compatible with: WD66 Wood Doors for OH66
WD71 Wood Doors for OH71
GD66 Glass Doors for OH66
GD71 Glass Doors for OH71




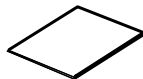




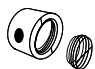
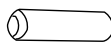
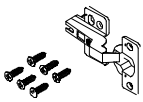
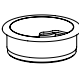
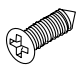






- Place all laminated parts on a clean and smooth surface such as a rug or carpet to avoid the parts from being scratched.
- Check to be sure that you have all parts and hardware.
- Remove all wrapping materials, including staples & packing straps before you start to assemble.
- Line up holes for cam locks.
- Put on sticker caps last.
- Keep all hardware parts out of reach of children.

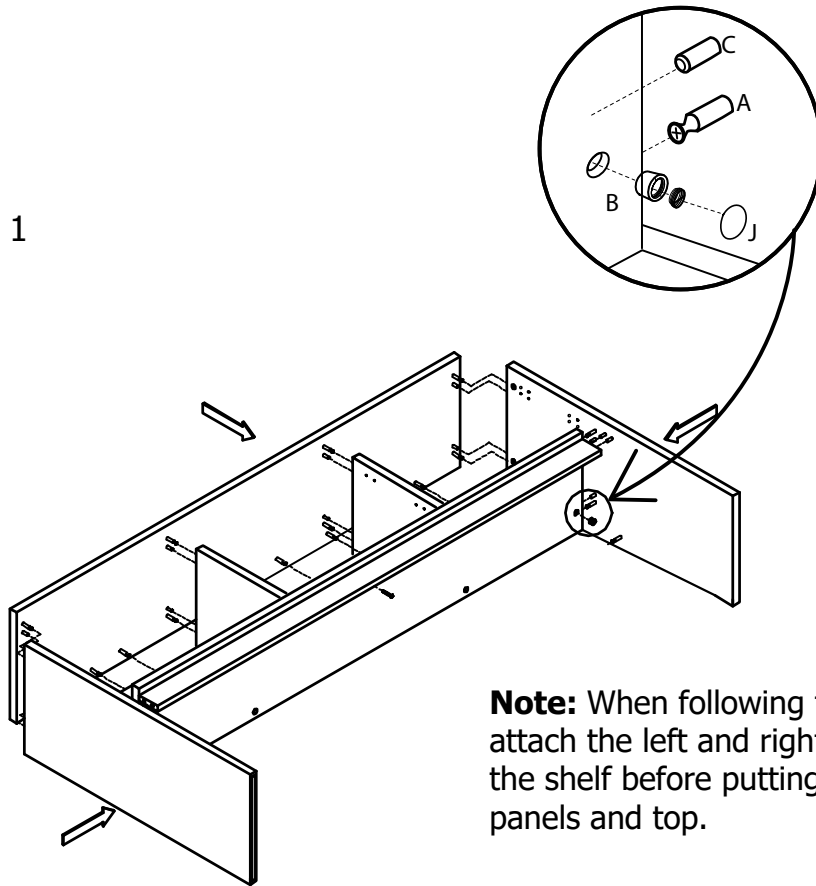
Required tools:

Flathead or Philips #2 Screwdriver

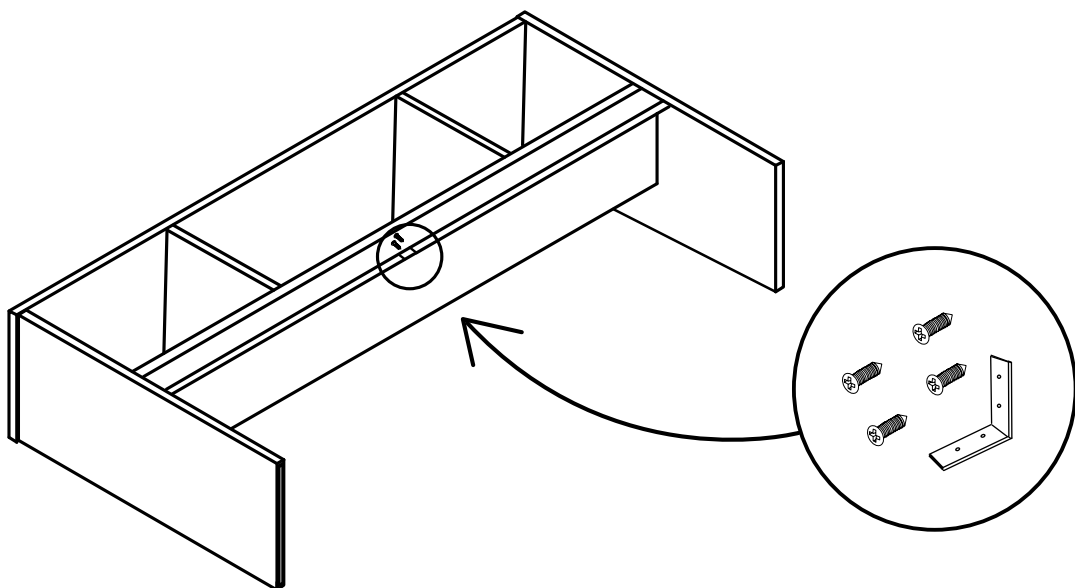


PART	QTY.	
Modesty Panel	1	
Shelf	1	
Stretcher Bar	1	
Left & Right Divider	2	
Side Panel	1	
Top Panel	1	
Doors (optional)	2-4	
PART	QTY.	
A Metal Cam Lock	25	
B Lock Cylinder	25	
C Wood Dowel	29	
D Door Hinge	8	
E Grommet	1	
F Screw	4	
G Connecting Plate	2	
H Bumper Plastic	4	
I 90 Degree Hinge	1	
J Cap Stickers	41	

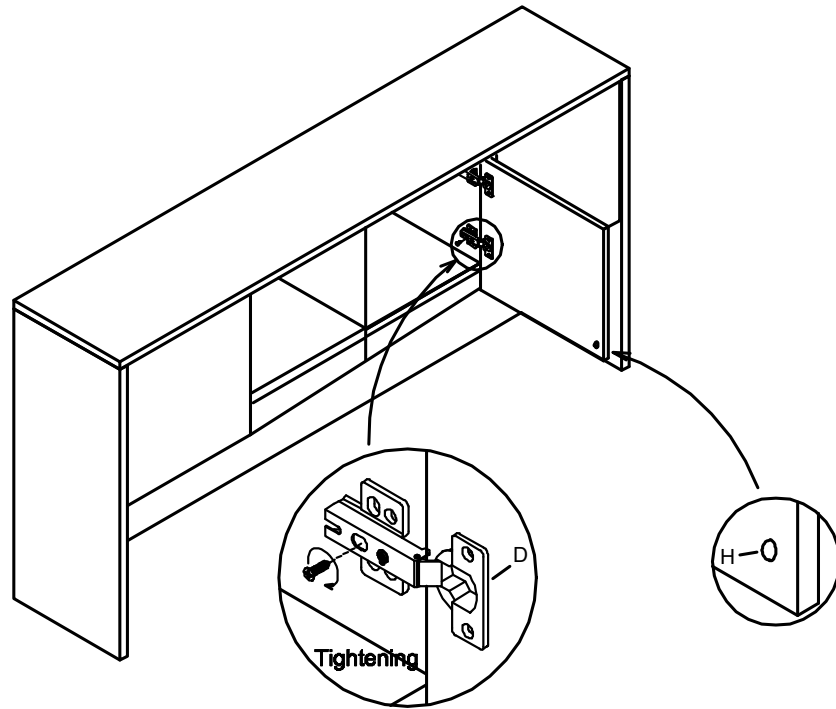
Step 1



Step 2



Step 4



Step 3

